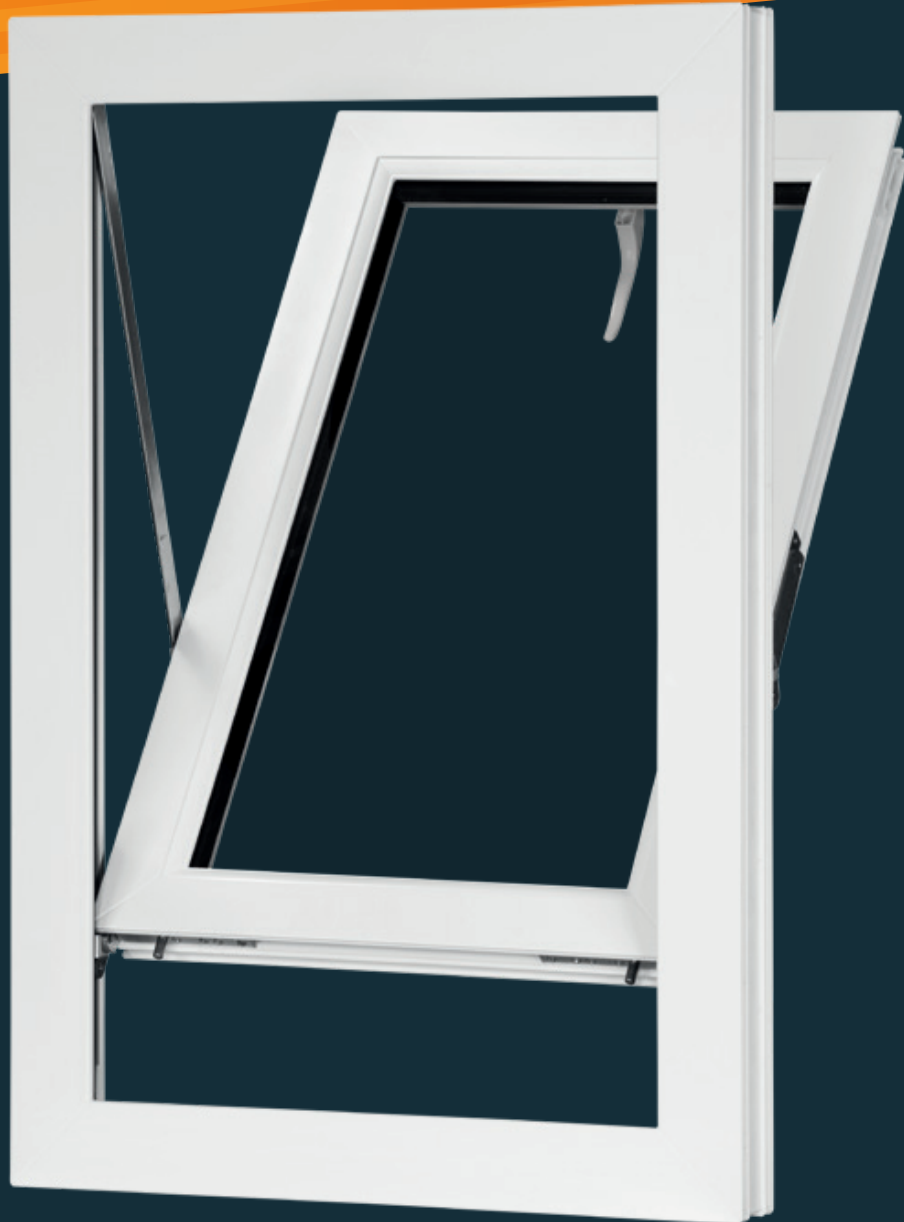


CREATE YOUR
**PERFECT
HOME**

FULLY REVERSIBLE

Operation Guide



YALE REVOLUTION WINDOW HINGE

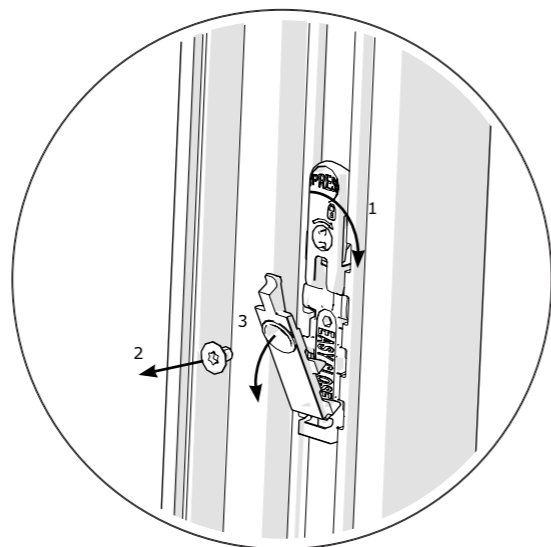
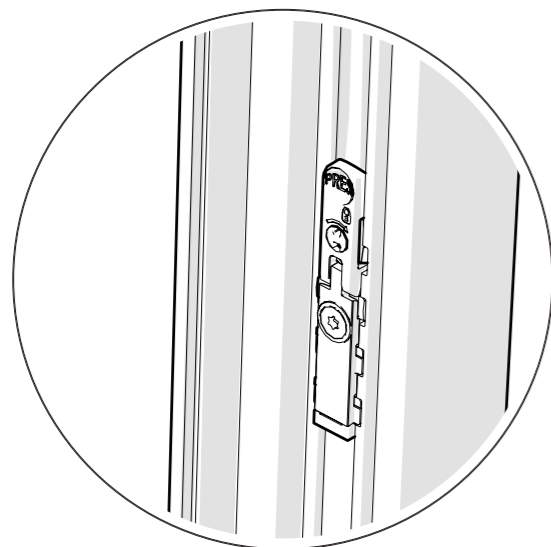
Yale

PRODUCT OPERATION: HOW TO CHANGE CONFIGURATION

RESTRICTION POSITION

The Yale Revolution Window Hinge can be configured to either of the following;

- Anti-Blow Back
- Easy Close



ANTI-BLOW BACK

Product as supplied will hold the sash in the set restricted positions when under mild to moderate wind loads.

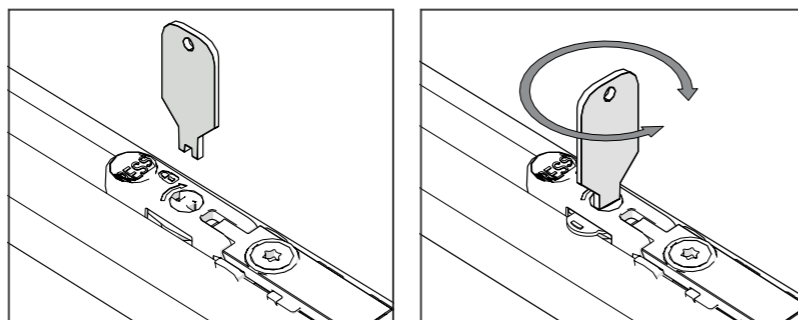
EASY CLOSE

Product function can be changed by re-configuration of the sash release lever, this allows the sash to be easily closed without any user interaction. This can be done by:

1. Using the key to engage the lock out feature
2. Removing the retaining screw (M4 x 6mm) (T20 Torx drive required)
3. Removing the insert
4. Disengaging the lockout feature

KEY OPERATED LOCK OUT FEATURE

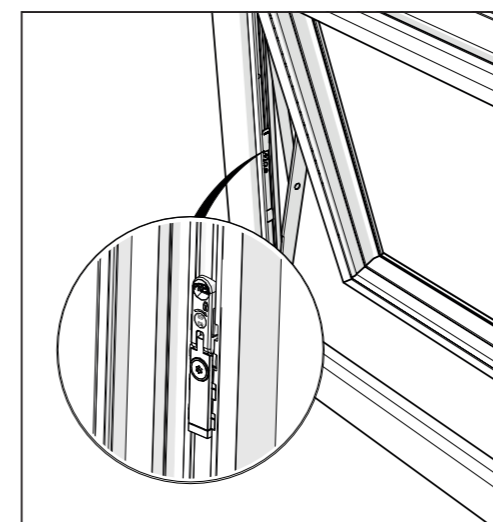
- Insert the key into the restrictor lever lock and rotate 90° (clockwise) to ensure that the window cannot be accidentally derestricted.
- Reverse this procedure to take the hinge out of this mode.



YALE REVOLUTION WINDOW HINGE

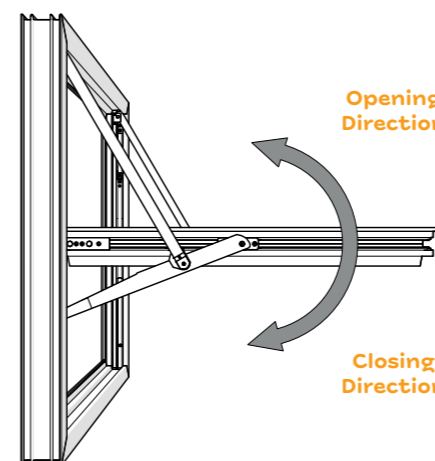
PRODUCT OPERATION: ANTI-BLOW BACK

CREATE YOUR
PERFECT
HOME



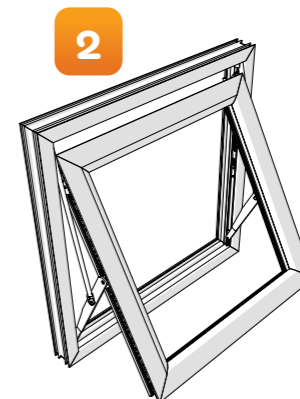
RESTRICTOR LEVER

- The restrictor lever can be found on the left hand hinge, when viewed from the inside.
- The restrictor lever must be pressed to open and close the sash, when locked out.
- Please note: the restrictor lever is only present in module sizes M6.0 and above.



SAFETY POSITION

- Open the window until the hinge locks the sash out and restricts at the first position.
- In this position the hinge will provide resistance to closing when under mild wind load. Under moderate wind loads, further resistance can be achieved by engaging the key operated lock out feature.
- The restrictor lever will then need to be pressed in order to release the sash from this position (this could be to open or close).



VENTILATION POSITION

- Continue to open the window further until it locks out and restricts at the second position.
- In this position the hinge will provide resistance to closing when under moderate or higher wind loads.
- The restrictor lever will then need to be pressed in order to release the sash from this position (this could be to open or close).



WASH POSITION

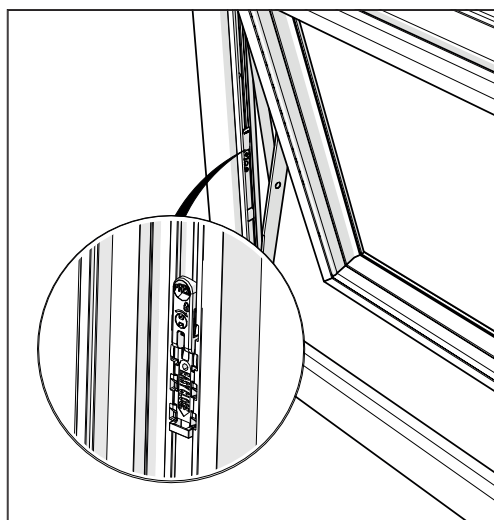
- Fully reverse the sash until it engages into this third position.
- The restrictor lever will then need to be pressed in order to release the sash from this position (to close).

PLEASE NOTE

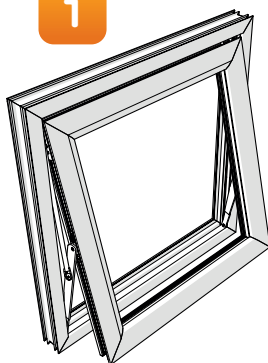
At each of the above positions the key operated lock out feature can be used to prevent the restrictor being released.

YALE REVOLUTION WINDOW HINGE

PRODUCT OPERATION: EASY CLOSE OPERATION



1



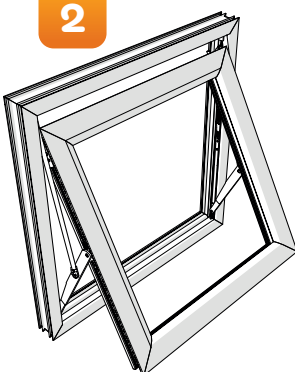
SAFETY POSITION

- Open the window until the hinge locks the sash out and restricts at the first position.
- The restrictor lever will then need to be pressed in order to open the window further (there is no need to press the button to close the window).

RESTRICTOR LEVER

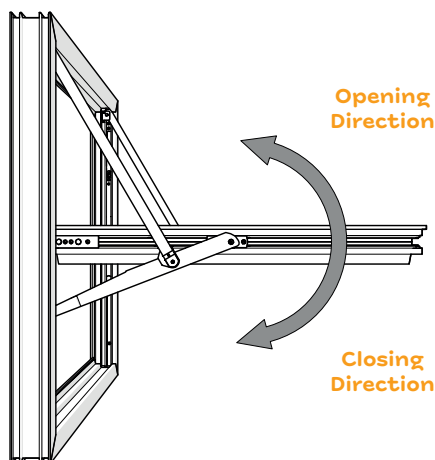
- The restrictor lever can be found on the left hand hinge, when viewed from the inside.
- The restrictor lever must be pressed to open and close the sash, when locked out.
- Please note: the restrictor lever is only present in module sizes M6.0 and above.

2

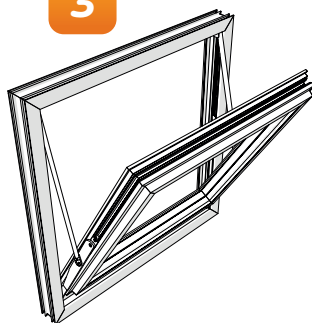


VENTILATION POSITION

- Continue to open the window further until it locks out and restricts at the second position.
- The restrictor lever will then need to be pressed in order to open the window further (there is no need to press the button to close the window).



3



WASH POSITION

- Fully reverse the sash until it engages into this third position.
- The restrictor lever will then need to be pressed in order to release the sash from this position (to close).

PLEASE NOTE

At each of the above positions the key operated lock out feature can be used to prevent the restrictor being released.